

THIS DRAWING IS UNPUBLISHED. RELEASED FOR PUBLICATION 1825059, 1825059
 © COPYRIGHT 1825059y - ALL RIGHTS RESERVED.

| LOC | | DIST | | REVISIONS | | | |
|-----|-----|-------------|--|---------------------------|-----------|------|----|
| P | LTR | DESCRIPTION | | DATE | DWN | APVD | |
| AD | 0 | A5 | | REVISED PER ECO-15-015220 | 27OCT2015 | NK | RH |

SPECIFICATIONS:

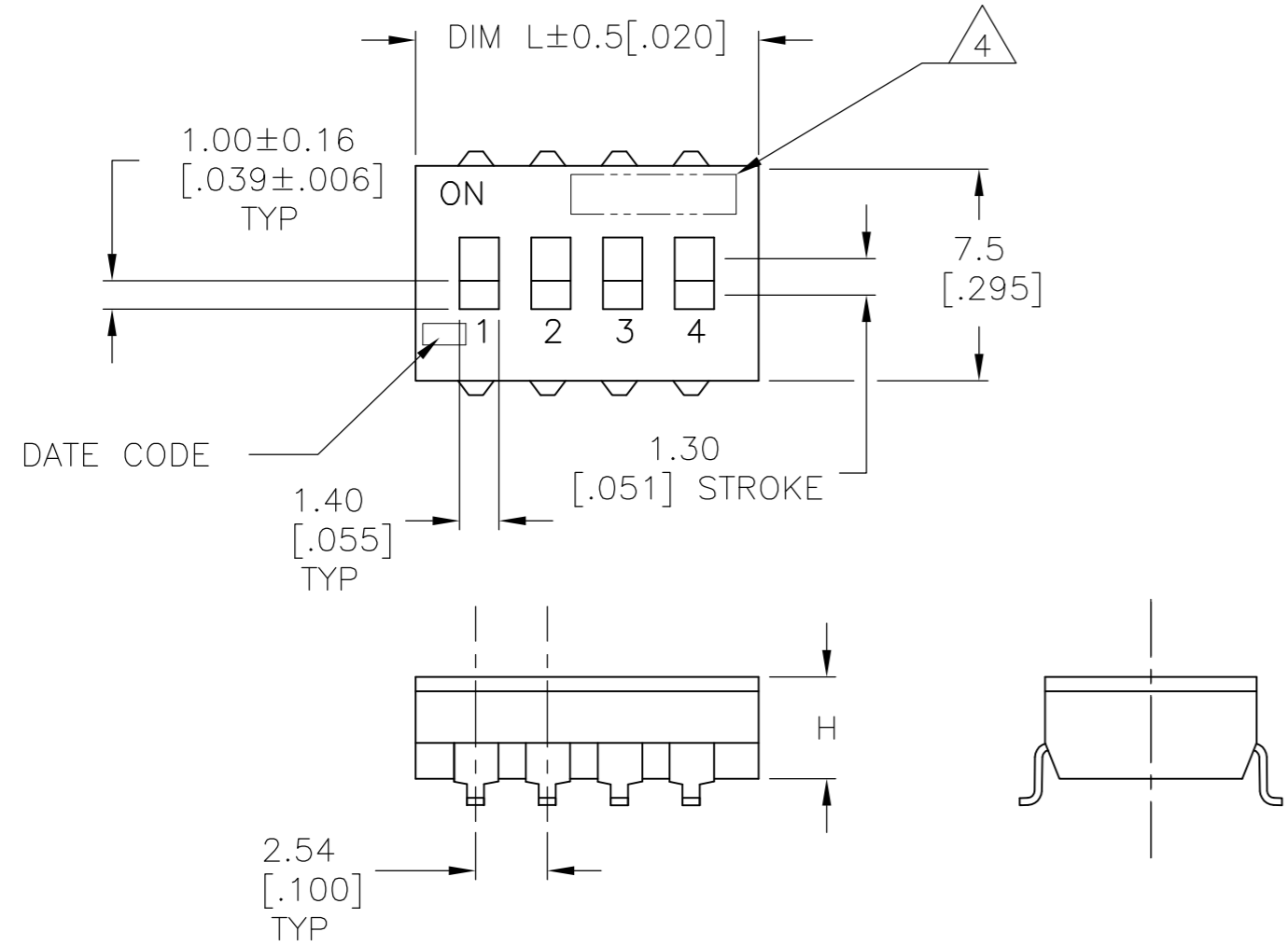
MATERIAL
 BASE, PPS,UL94V-0, BLACK
 COVER, PPS, UL94V-0, BLACK
 ACTUATOR, PA6T, UL94V-0, WHITE
 FIXED CONTACT/TERMINAL, CU ALLOY-GOLD FLASH OVER NICKEL
 MOVING CONTACT, CU ALLOY, PLATE-GOLD FLASH/NICKEL
 TAPE SEAL-POLYIMIDE FILM, AMBER, SEE P/N TABLE FOR OPTIONS

ELECTRICAL
 MAX CONTACT RATING SWITCHING, 100MILLIAMP @ 24 VDC
 MIN CONTACT RATING SWITCHING, .1MICROAMP @ 1 MILLIVOLT
 MAX CONTACT NON-SWITCHING, 1AMP @ 5 VDC
 INITIAL CONTACT RESISTANCE, 50 MILLIOHMS MAX.
 CONTACT RESISTANCE (AFTER ENVIRONMENTAL TEST), 100 MILLIOHMS
 CONTACT RESISTANCE (AFTER GAS TEST), 300 MILLIOHMS
 INSULATION RESISTANCE, 1,000 MEGOHMS MIN. @ 100 VDC
 DIELECTRIC STRENGTH, 500 VAC RMS @ SEA LEVEL
 LIFE EXPECTANCY, 1,000 CYCLES

MECHANICAL
 OPERATING FORCE, LESS THAN 800 GRAMS
 CONTACT PRESSURE, 280,000 PSI

ENVIRONMENTAL
 OPERATING TEMPERATURE, -30 TO +85 DEGREES C
 STORAGE TEMPERATURE, -45 TO +105 DEGREES C
 CLEANING, AQUEOUS OR SOLVENT
 SOLDER HEAT RESISTANCE, PER 109-201, COND B, SWITCH "OFF".
 SOLDERABILITY PER JIS C 0050 & JIS C 0053.

- SWITCHES TO BE RECEIVED IN THE "OFF" POSITION AND PACKAGED IN CLEAR TUBES TO ACCOMMODATE AUTO-INSERTION OR PACKAGED ON TAPE AND REEL
- TOP SURFACE TO BE CLEARLY MARKED AS SHOWN
- SWITCHES TO BE BLACK WITH WHITE ACTUATORS AND MARKINGS.
- TERMINAL OPTION: OLD T&B P/N ADExxS, SA OR SB
 S= OUTSIDE "L" TERMINALS; SA= INSIDE "L" TERMINALS;
 SB= BUTT TERMINALS
- ALL MATERIALS AND FINISHES SHALL COMPLY WITH EU DIRECTIVE 2002/95/EC OF 27JAN2003 (ROHS)
- TOP TAPE SEAL AVAILABLE, SEE TABLE FOR OPTIONS.
- TAPE AND REEL PACKAGING PER EIA 481.
- OBSOLETE PARTS: OBSOLETE CIS STREAMLINING PER D.RENAUD/D.SINISI

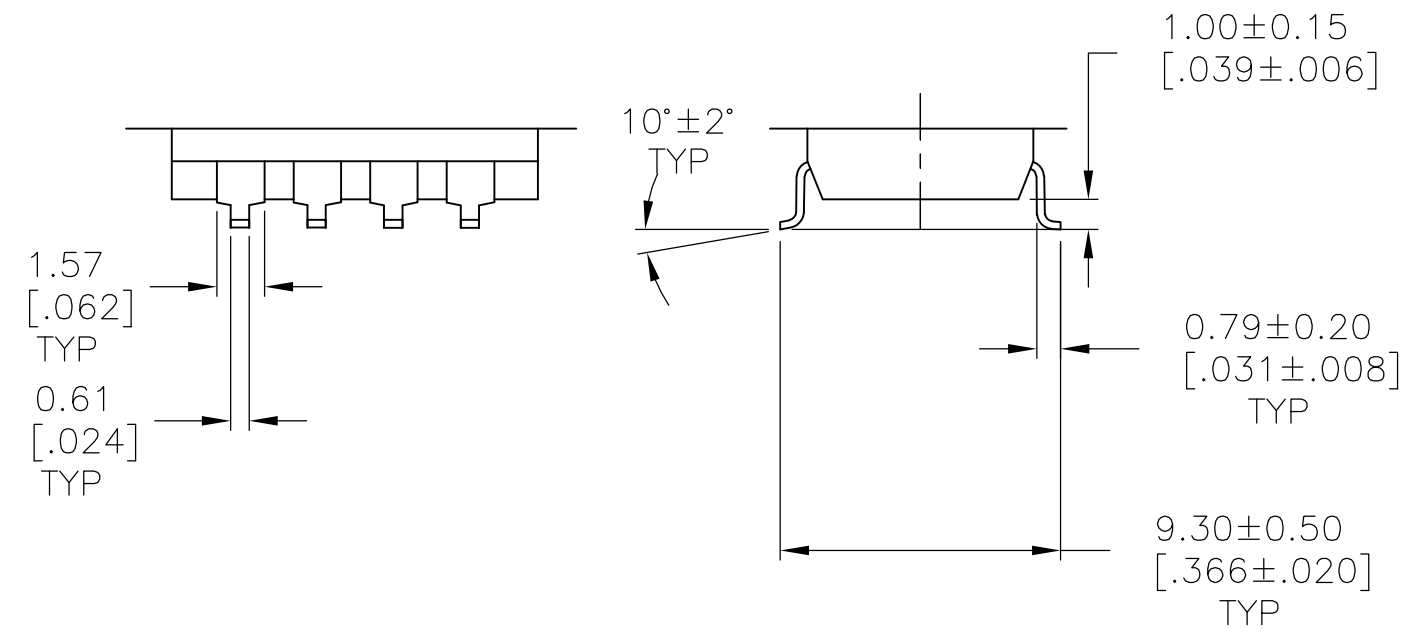


SEE SHEET 3 FOR PART NUMBER TABLE
 SEE SHEET 2 FOR MOUNTING OPTIONS

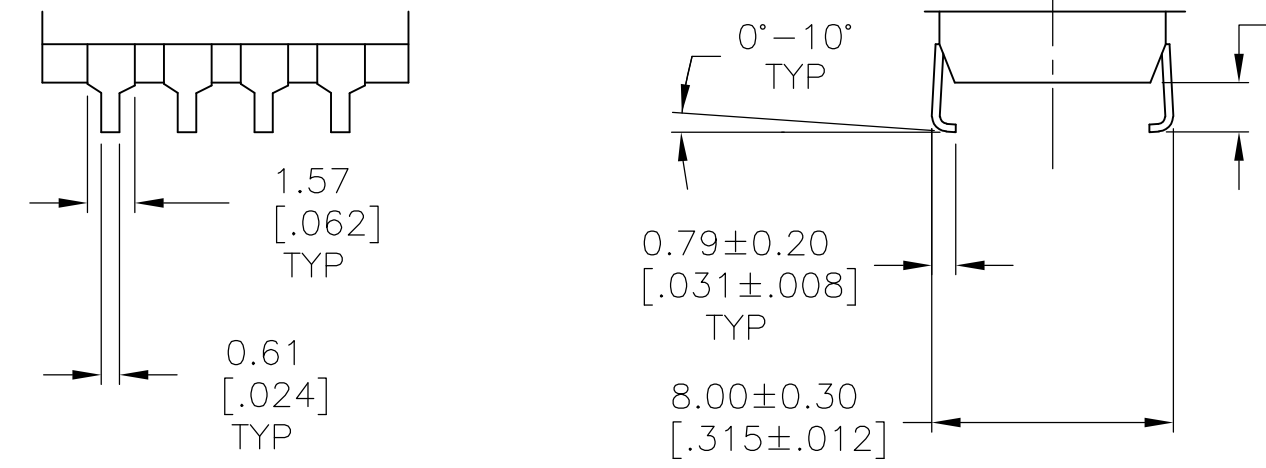
| | | | | |
|--|--|----------------------------------|----------------------------|-----------|
| THIS DRAWING IS A CONTROLLED DOCUMENT. | | DWN B.S.VISWESWARA 11FEB05 | TE Connectivity | |
| DIMENSIONS: mm [INCHES] | | CHK M.SARVER | | |
| TOLERANCES UNLESS OTHERWISE SPECIFIED: | | APVD M.SARVER | DIP SWITCH, ADF-SMT SERIES | |
| 0 PLC ± - | | PRODUCT SPEC | SIZE | CAGE CODE |
| 1 PLC ± - | | APPLICATION SPEC | A2 | - |
| 2 PLC ± 0.30[.012] | | WEIGHT | DRAWING NO | |
| 3 PLC ± - | | - | C=1825059 | |
| 4 PLC ± - | | - | SCALE | SHEET |
| ANGLES ± - | | CUSTOMER DRAWING | 4:1 | 1 OF 3 |
| FINISH | | RESTRICTED TO | REV | A5 |
| - | | - | - | |

THIS DRAWING IS UNPUBLISHED. RELEASED FOR PUBLICATION 1825059, 1825059
 © COPYRIGHT 1825059 - ALL RIGHTS RESERVED.

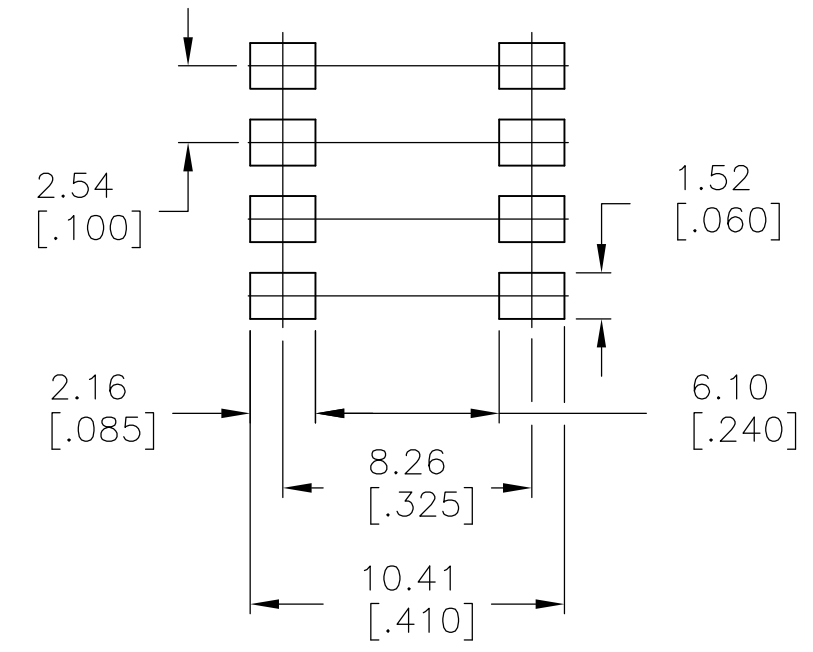
| LOC | | DIST | | REVISIONS | | | |
|-----|-----|-------------|------|-----------|------|--|--|
| P | LTR | DESCRIPTION | DATE | DWN | APVD | | |
| | | SEE SHEET 1 | | | | | |



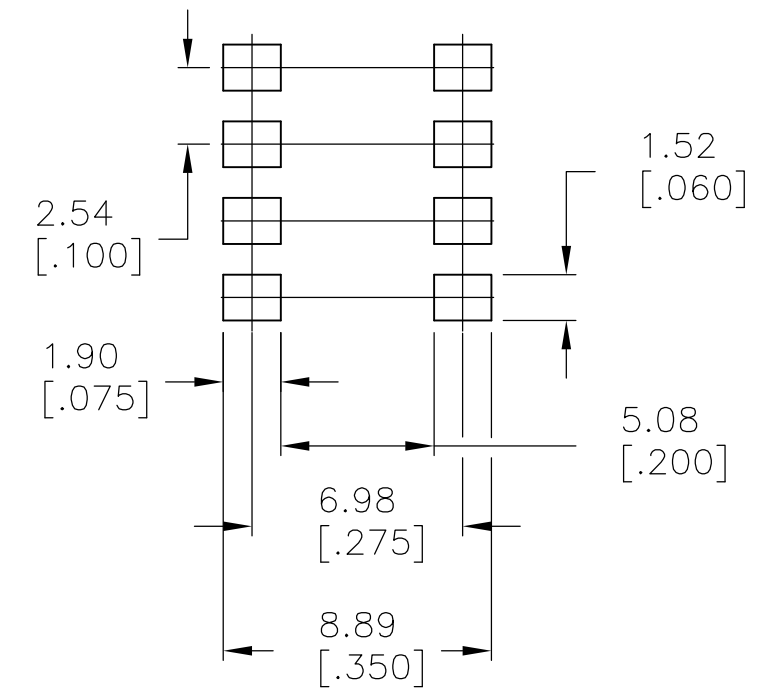
SURFACE MOUNT
S (OUTSIDE "L")



SURFACE MOUNT
SA (INSIDE "L")



RECOMMENDED PAD LAYOUT



RECOMMENDED PAD LAYOUT


| | | | | |
|--|--|----------------------------------|----------------------------|--------------------|
| THIS DRAWING IS A CONTROLLED DOCUMENT. | | DWN B.S.VISWESWARA 11FEB05 | TE Connectivity | |
| DIMENSIONS: mm [INCHES] | | CHK M.SARVER | | |
| TOLERANCES UNLESS OTHERWISE SPECIFIED: | | APVD M.SARVER | DIP SWITCH, ADF-SMT SERIES | |
| 0 PLC ± - 1 PLC ± - 2 PLC ± 0.30[.012] 3 PLC ± - 4 PLC ± - ANGLES ± - FINISH - | | PRODUCT SPEC - | SIZE A2 | CAGE CODE - |
| MATERIAL - | | WEIGHT - | DRAWING NO C=1825059 | RESTRICTED TO - |
| | | CUSTOMER DRAWING | SCALE 4:1 | SHEET 2 of 3 |
| | | | REV A5 | |

THIS DRAWING IS UNPUBLISHED. 1825059, 1825059
 RELEASED FOR PUBLICATION ALL RIGHTS RESERVED.

| LOC | DIST | REVISIONS | | | | | |
|-----|------|-----------|-----|-------------|------|-----|------|
| AD | 0 | P | LTR | DESCRIPTION | DATE | DWN | APVD |
| | | - | | SEE SHEET 1 | - | - | - |

| | | | | | |
|--------------|------------|-------------|------|-----|----------------------|
| ADF09S04 | 3.50[.138] | 24.54[.978] | NO | 9 | 4-1825059-3 |
| ADF08STTR04 | 3.50[.138] | 22.30[.878] | YES | 8 | 4-1825059-2 |
| ADF08ST04 | 3.50[.138] | 22.30[.878] | YES | 8 | 4-1825059-1 |
| ADF08SATTR04 | 3.50[.138] | 22.30[.878] | YES | 8 | 4-1825059-0 |
| ADF08SAT04 | 3.50[.138] | 22.30[.878] | YES | 8 | 3-1825059-9 |
| ADF08SA04 | 3.50[.138] | 22.30[.878] | NO | 8 | 3-1825059-8 |
| ADF08S04 | 3.50[.138] | 22.30[.878] | NO | 8 | 3-1825059-7 |
| ADF07STTR04 | 3.50[.138] | 19.76[.778] | YES | 7 | 3-1825059-6 |
| ADF07ST04 | 3.50[.138] | 19.76[.778] | YES | 7 | 3-1825059-5 |
| ADF07SATTR04 | 3.50[.138] | 19.76[.778] | YES | 7 | 3-1825059-4 |
| ADF07SAT04 | 3.50[.138] | 19.76[.778] | YES | 7 | 3-1825059-3 |
| ADF07SA04 | 3.50[.138] | 19.76[.778] | NO | 7 | 3-1825059-2 |
| ADF07S04 | 3.50[.138] | 19.76[.778] | NO | 7 | 3-1825059-1 |
| ADF06STTR04 | 3.50[.138] | 17.22[.678] | YES | 6 | 3-1825059-0 |
| ADF06ST04 | 3.50[.138] | 17.22[.678] | YES | 6 | 2-1825059-9 |
| ADF06SATTR04 | 3.50[.138] | 17.22[.678] | YES | 6 | 2-1825059-8 |
| ADF06SAT04 | 3.50[.138] | 17.22[.678] | YES | 6 | 2-1825059-7 |
| ADF06SA04 | 3.50[.138] | 17.22[.678] | NO | 6 | 2-1825059-6 |
| ADF06S04 | 3.50[.138] | 17.22[.678] | NO | 6 | 2-1825059-5 |
| ADF05STTR04 | 3.50[.138] | 14.68[.578] | YES | 5 | 2-1825059-4 |
| ADF05ST04 | 3.50[.138] | 14.68[.578] | YES | 5 | 2-1825059-3 |
| ADF05SATTR04 | 3.50[.138] | 14.68[.578] | YES | 5 | 2-1825059-2 |
| ADF05SAT04 | 3.50[.138] | 14.68[.578] | YES | 5 | 2-1825059-1 |
| ADF05SA04 | 3.50[.138] | 14.68[.578] | NO | 5 | 2-1825059-0 |
| ADF05S04 | 3.50[.138] | 14.68[.578] | NO | 5 | 1-1825059-9 |
| ADF04STTR04 | 3.50[.138] | 12.14[.478] | YES | 4 | 1-1825059-8 |
| ADF04ST04 | 3.50[.138] | 12.14[.478] | YES | 4 | 1-1825059-7 |
| ADF04SATTR04 | 3.50[.138] | 12.14[.478] | YES | 4 | 1-1825059-6 |
| ADF04SAT04 | 3.50[.138] | 12.14[.478] | YES | 4 | 1-1825059-5 |
| ADF04SA04 | 3.50[.138] | 12.14[.478] | NO | 4 | 1-1825059-4 |
| ADF04S04 | 3.50[.138] | 12.14[.478] | NO | 4 | 1-1825059-3 |
| ADF03STTR04 | 3.50[.138] | 9.60[.378] | YES | 3 | 1-1825059-2 |
| ADF03ST04 | 3.50[.138] | 9.60[.378] | YES | 3 | 1-1825059-1 |
| ADF03SATTR04 | 3.50[.138] | 9.60[.378] | YES | 3 | 1-1825059-0 |
| ADF03SAT04 | 3.50[.138] | 9.60[.378] | YES | 3 | 1825059-9 |
| ADF03SA04 | 3.50[.138] | 9.60[.378] | NO | 3 | 1825059-8 |
| ADF03S04 | 3.50[.138] | 9.60[.378] | NO | 3 | 1825059-7 |
| ADF02STTR04 | 3.50[.138] | 7.06[.278] | YES | 2 | 1825059-6 |
| ADF02ST04 | 3.50[.138] | 7.06[.278] | YES | 2 | 1825059-5 |
| ADF02SATTR04 | 3.50[.138] | 7.06[.278] | YES | 2 | 1825059-4 |
| ADF02SAT04 | 3.50[.138] | 7.06[.278] | YES | 2 | 1825059-3 |
| ADF02SA04 | 3.50[.138] | 7.06[.278] | NO | 2 | 1825059-2 |
| ADF02S04 | 3.50[.138] | 7.06[.278] | NO | 2 | 1825059-1 |
| T&B P/N | DIM H | DIM L | SEAL | POS | PART NO. |

| | | | | | |
|--------------|------------|--------------|------|-----|-------------|
| ADF10STR04 | 3.50[.138] | 27.36[1.078] | NO | 10 | 6-1825059-2 |
| ADF03STR04 | 3.50[.138] | 9.60[.378] | NO | 3 | 6-1825059-1 |
| ADF12STTR04 | 3.61[.142] | 32.51[1.280] | YES | 12 | 6-1825059-0 |
| ADF12ST04 | 3.61[.142] | 32.51[1.280] | YES | 12 | 5-1825059-9 |
| ADF12SATTR04 | 3.61[.142] | 32.51[1.280] | YES | 12 | 5-1825059-8 |
| ADF12SAT04 | 3.61[.142] | 32.51[1.280] | YES | 12 | 5-1825059-7 |
| ADF12SA04 | 3.61[.142] | 32.51[1.280] | NO | 12 | 5-1825059-6 |
| ADF12S04 | 3.61[.142] | 32.51[1.280] | NO | 12 | 5-1825059-5 |
| ADF10STTR04 | 3.50[.138] | 27.36[1.078] | YES | 10 | 5-1825059-4 |
| ADF10ST04 | 3.50[.138] | 27.36[1.078] | YES | 10 | 5-1825059-3 |
| ADF10SATTR04 | 3.50[.138] | 27.36[1.078] | YES | 10 | 5-1825059-2 |
| ADF10SAT04 | 3.50[.138] | 27.36[1.078] | YES | 10 | 5-1825059-1 |
| ADF10SA04 | 3.50[.138] | 27.36[1.078] | NO | 10 | 5-1825059-0 |
| ADF10S04 | 3.50[.138] | 27.36[1.078] | NO | 10 | 4-1825059-9 |
| ADF09STTR04 | 3.50[.138] | 24.54[.978] | YES | 9 | 4-1825059-8 |
| ADF09ST04 | 3.50[.138] | 24.54[.978] | YES | 9 | 4-1825059-7 |
| ADF09SATTR04 | 3.50[.138] | 24.54[.978] | YES | 9 | 4-1825059-6 |
| ADF09SAT04 | 3.50[.138] | 24.54[.978] | YES | 9 | 4-1825059-5 |
| ADF09SA04 | 3.50[.138] | 24.54[.978] | NO | 9 | 4-1825059-4 |
| T&B P/N | DIM H | DIM L | SEAL | POS | PART NO. |

OBSOLETE


THIS DRAWING IS A CONTROLLED DOCUMENT.

| | | |
|------------------|----------------|---------|
| DWN | B.S.VISWESWARA | 11FEB05 |
| CHK | M.SARVER | - |
| APVD | M.SARVER | - |
| PRODUCT SPEC | - | - |
| APPLICATION SPEC | - | - |
| WEIGHT | - | - |

STE TE Connectivity

DIP SWITCH, ADF-SMT SERIES

| | | | | | | | |
|-------|-----|-----------|--------|------------|-----------|---------------|---|
| SIZE | A2 | CAGE CODE | - | DRAWING NO | C=1825059 | RESTRICTED TO | - |
| SCALE | 4:1 | SHEET | 3 of 3 | REV | A5 | | |

CUSTOMER DRAWING